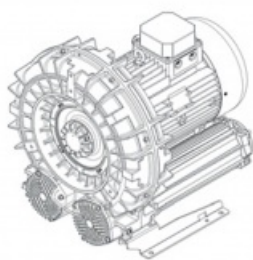


product code: **SE11MS50+0010 ATEX II
3GDT3**



evolution

Power [kW]	9,2
Power supply [V/Hz]	50
Speed [rpm]	2935
Flow rate [m3/h]	939
Suction [mbar]	250
Compression [mbar]	225
Noise level [dB(A)]	78
Weight [kg]	103
Class	IE3
Protection class [IP]	55
Insulation Class	F

Warianty produktu

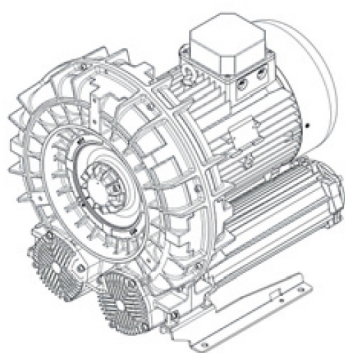
Index

Side channel blower FPZ **SE11MS50+0010 ATEX II 3GDT3**
SE11MS50+0010 ATEX II 3GDT3

Price

Product prices will become visible after signing in.

Gallery



evolution

