



product code: 4003057

Capacity [m3/min]	40
Operating pressure (bar [g])	08 ... 16
Operating voltage	24 VDC
Condensate inlet	1 x G1/2" / 1 x G3/4"
Temperature min/max (°C)	+1 ... +60
Application	Oil-free condensate, Oil-contaminated condensate
Order ref. with cable (2,5m) + angle plug	4003057

Options **Optionally, the following operating voltage variants are also available: 200 VAC / 115 VAC / 100 VAC.**

Warianty produktu

Index

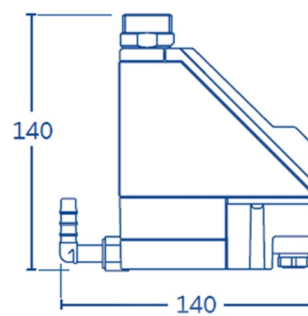
BEKOMAT 20 FM - automatyczny spust kondensatu z obudową plastikową 24 VDC
4003057

Price

Product prices will become visible after signing in.

Gallery





Głębokość: 72

Wymiary podane w mm