

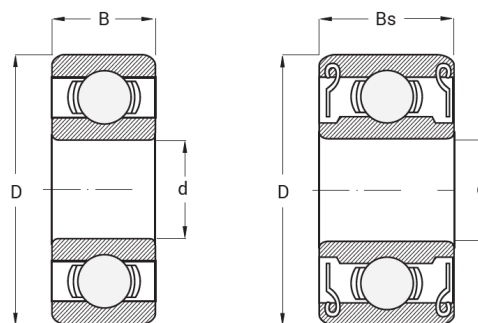
product code: **R8-2RSC3-MTM**product ean: **5907772128688**

d [mm]	12,7000
D [mm]	28,5750
B [mm]	6,3500
Bs [mm]	7,9375
load rating dynam. [N]	3932
load rating stat. [N]	2073
Weight [kg]	0,0150

## Warianty produktu

Index	Price
<b>Bearing R8 2RSC3</b> <b>R8-2RSC3-MTM</b>	Product prices will become visible after signing in.

## Gallery



ZZ &amp; 2RS