

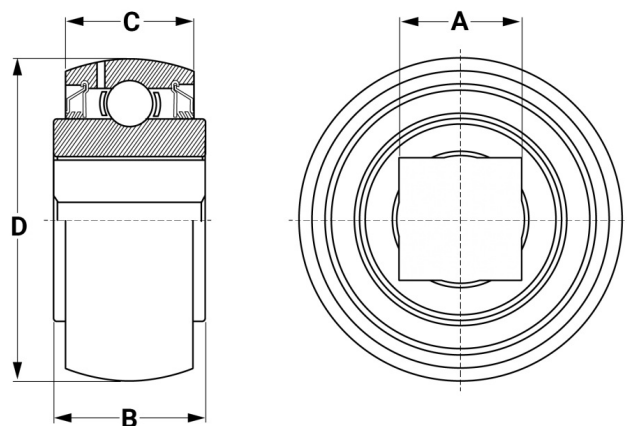
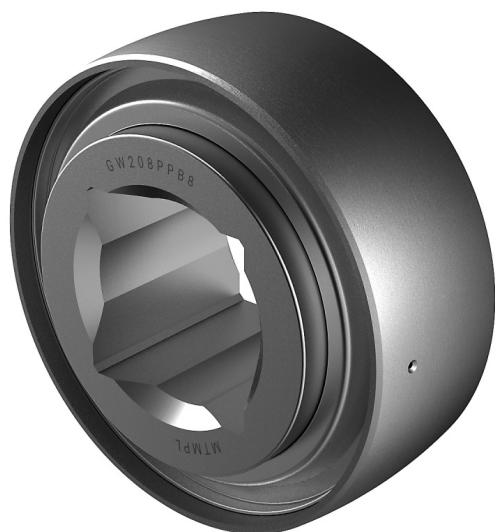
product code: **GW208-PPB8-MTM**
product ean: **5907772119938**

d [mm]	29.972
D [mm]	80
B [mm]	36.525
C [mm]	30.175
Weight [kg]	0.8
load rating dynam. [N]	30 000
load rating stat. [N]	15 000

Warianty produktu

Index	Price
Ball bearing with square bore GW208 PPB8 GW208-PPB8-MTM	Product prices will become visible after signing in.

Gallery



Product description

Łożysko swobodne, kulista bieżnia zewnętrzna, otwór kwadratowy